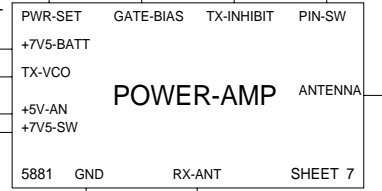
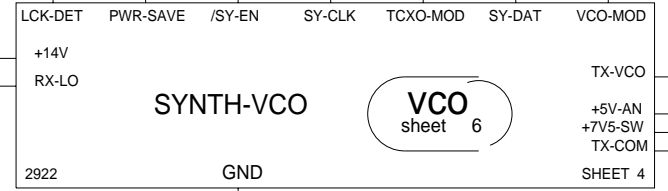
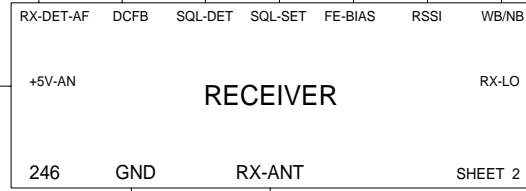


PROCESSOR
252 SHEET 3
DSP AUDIO

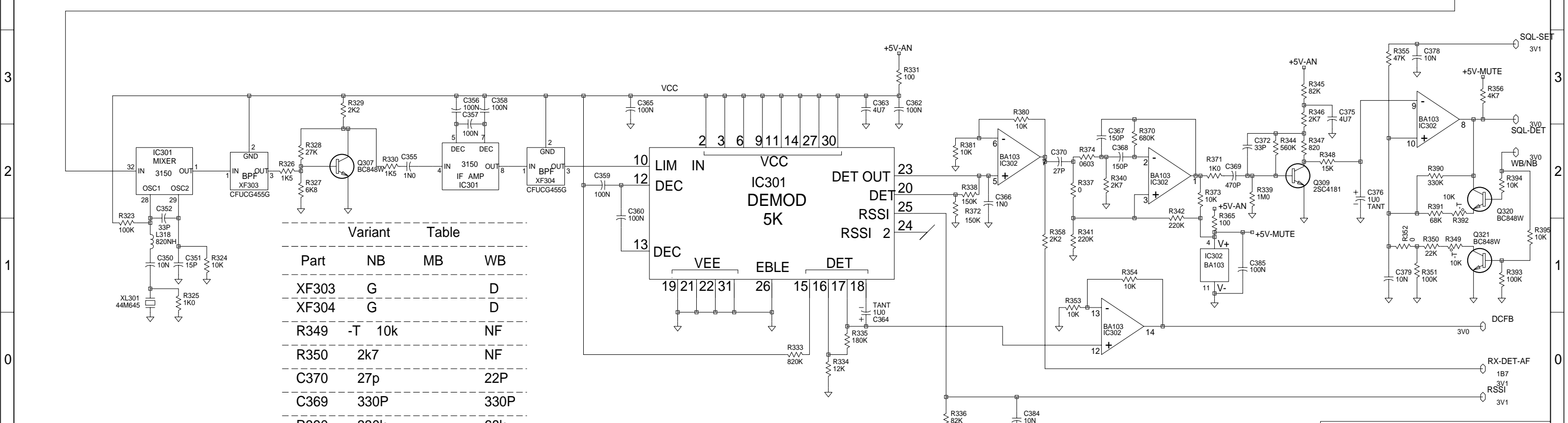
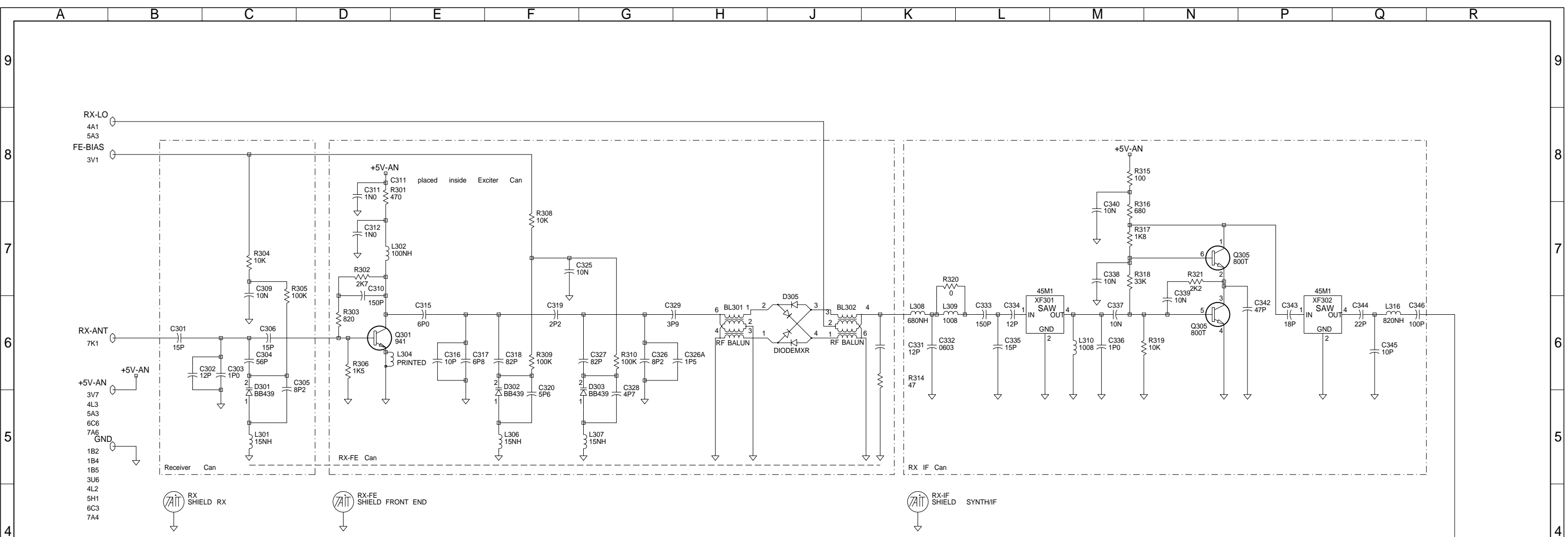


REV/ISS	AMENDMENTS	DRAWN	CHKD	D.O.	APVD	DATE
04C	PINS & SEALS. CCO NO.1503-008					11-11-99
04B	D103 > MA4P1250. ECO NO 50-0411					01-11-99
04A	CHANGES AS PER 1503/001					20/08/99
03B	ADJUSTED T-CU AS PER PENTEX					03-06-99
03A	UPDATE ALC AND AFC					17-05-99
02A	SEE NOTES FILE FOR CHANGES					10/02/99
08	UPDATED MUTE CIRCUITRY					

TAIT ELECTRONICS	
ORCA :TP10- 336-400MHZ SYSTEM DIAGRAM	
IPN: 220-01503-04	ISSUE: C
DESIGNER: ORCA	FILE DATE: 11-Nov-99
FILE NAME: BRD/TS	NO.SHEETS: 7

Sub UHF



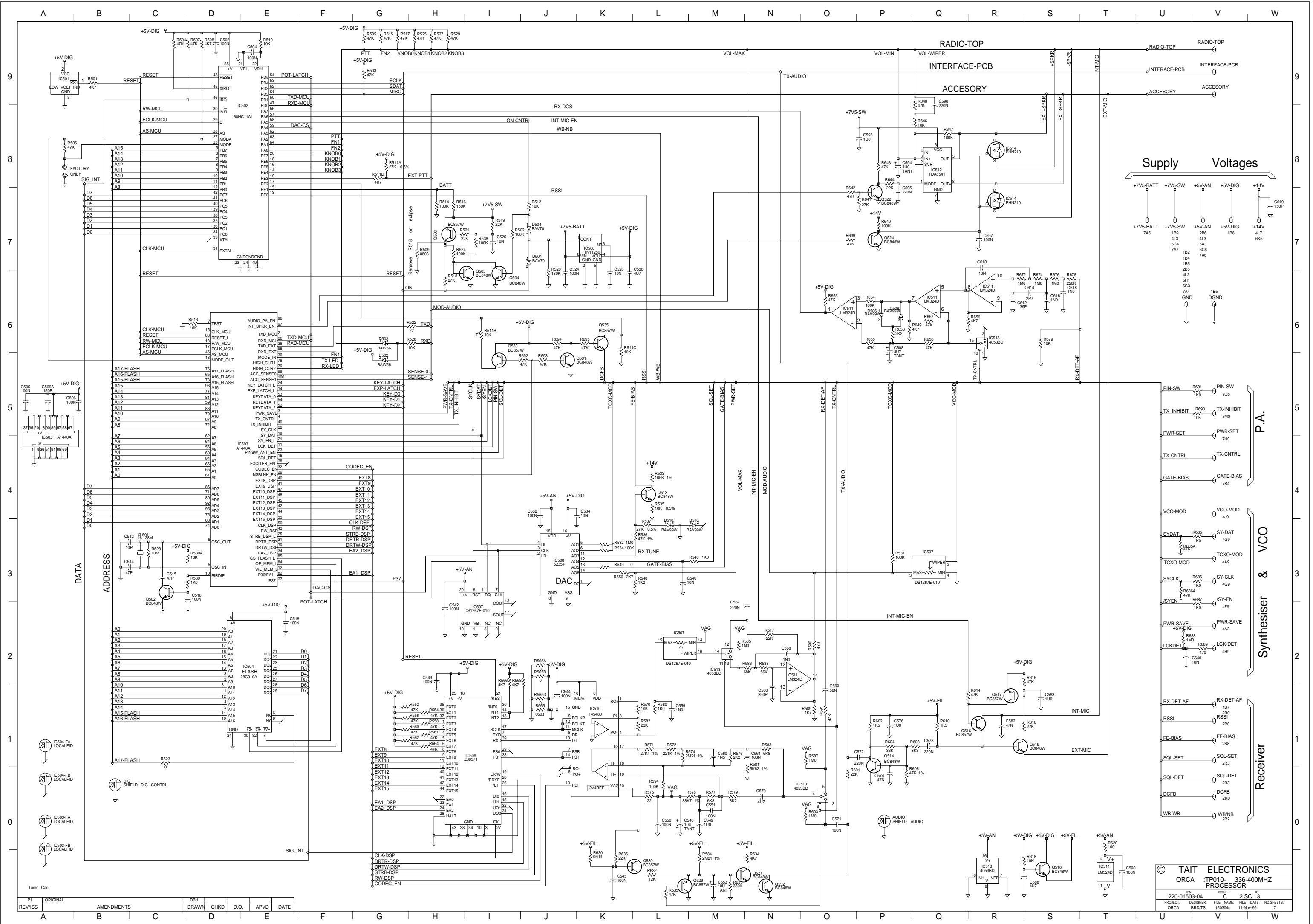


Variant Table

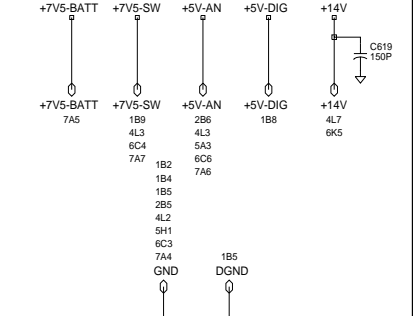
Part	NB	MB	WB
XF303	G		D
XF304	G		D
R349	-T 10k		NF
R350	2k7		NF
C370	27p		22P
C369	330P		330P
R390	330k		68k
R355	47k		22k

© TAIT ELECTRONICS
 ORCA :TP010- 336-400MHZ RECEIVER
 IPN: 220-01503-04 ISSUE: C ID: 2.S.C. 2
 PROJECT: ORCA DESIGNER: BRD/TS FILE NAME: 150304c DATE: 11-Nov-99 NO.SHEETS: 7

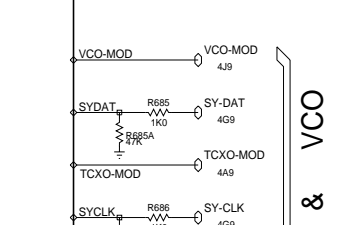
REV/ISS	AMENDMENTS	DRAWN	CHKD	D.O.	APVD	DATE
A						



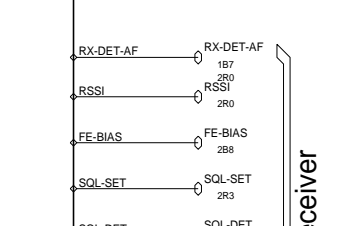
Supply Voltages



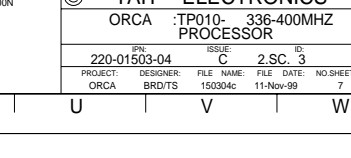
P.A.



Synthesiser & VCO



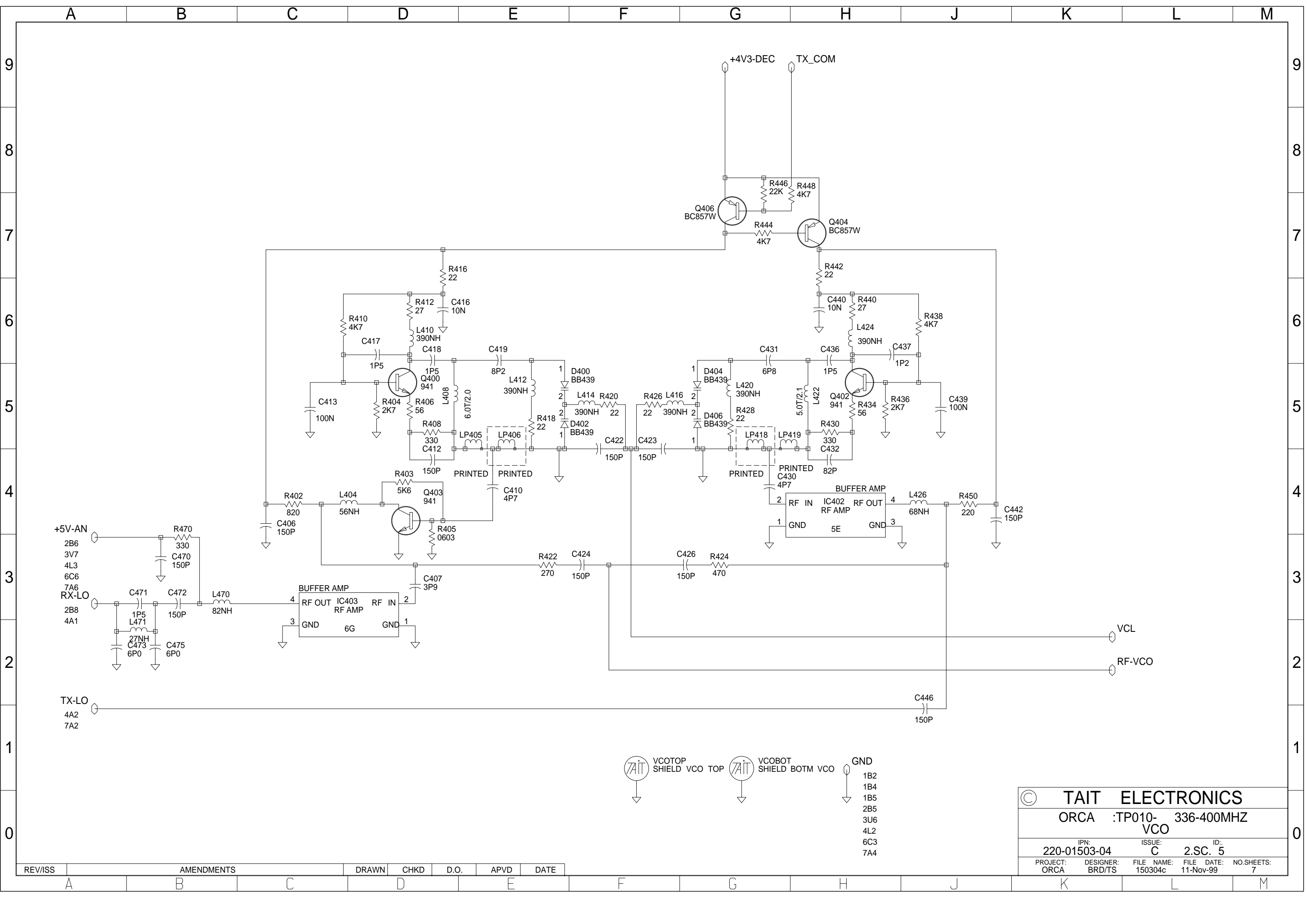
Receiver



© TAIT ELECTRONICS
 ORCA TP010- 336-400MHZ
 PROCESSOR
 220-01503-04 C 2-SC-3
 PROJECT: DESIGNER: FILE NAME: FILE DATE: NO SHEETS: 7

REV/ISS	ORIGINAL	AMENDMENTS	DRAWN	CHKD	D.O.	APVD	DATE
P1							

Toms Can



- VCOTOP SHIELD VCO TOP
- VCOBOT SHIELD BOTM VCO
- GND
 - 1B2
 - 1B4
 - 1B5
 - 2B5
 - 3U6
 - 4L2
 - 6C3
 - 7A4

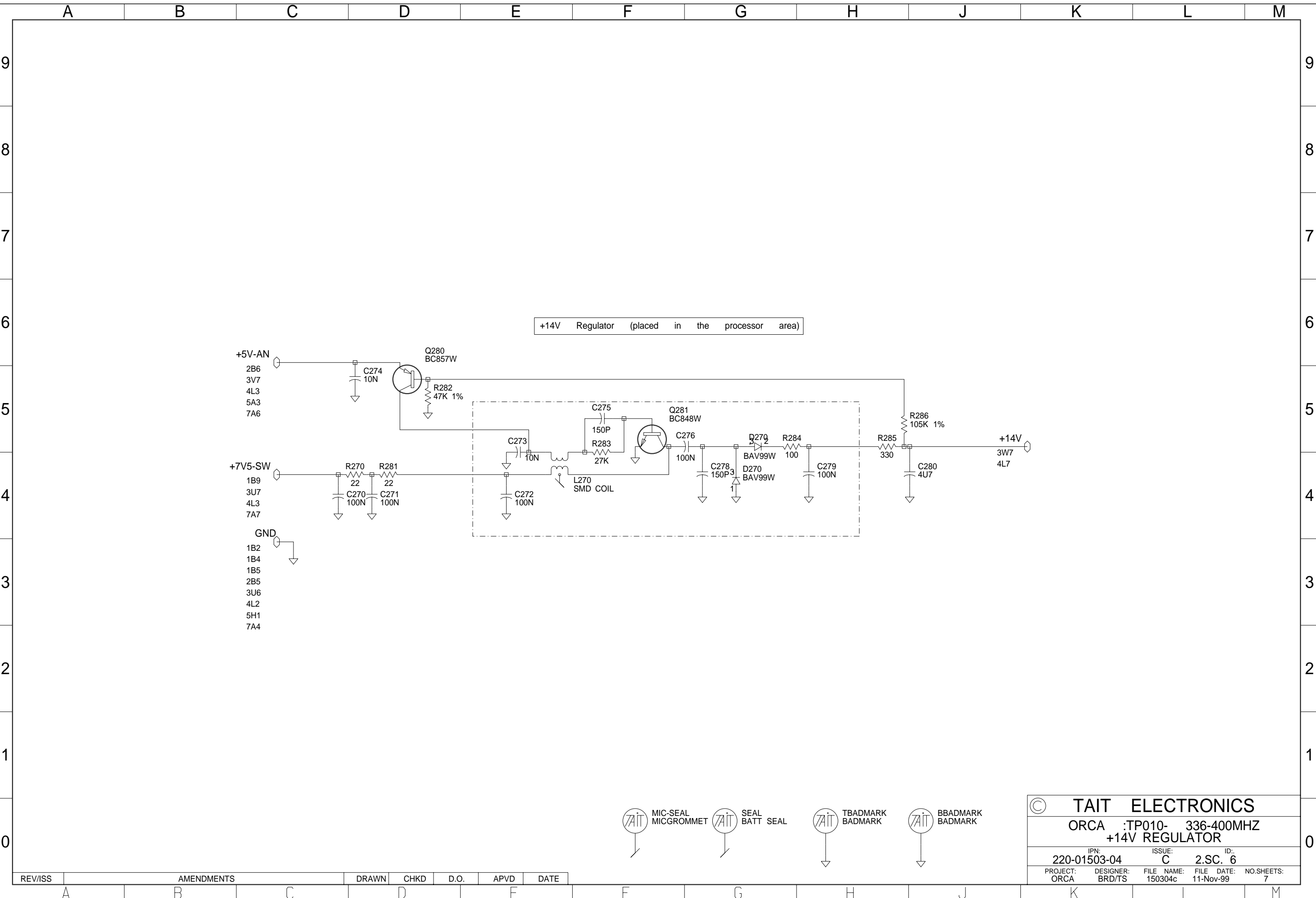
© TAIT ELECTRONICS

ORCA :TP010- 336-400MHZ
VCO

IPN: 220-01503-04 ISSUE: C ID: 2.SC. 5

PROJECT: ORCA DESIGNER: BRD/TS FILE NAME: 150304c FILE DATE: 11-Nov-99 NO.SHEETS: 7

REV/ISS	AMENDMENTS	DRAWN	CHKD	D.O.	APVD	DATE







+14V Regulator (placed in the processor area)

+5V-AN
2B6
3V7
4L3
5A3
7A6

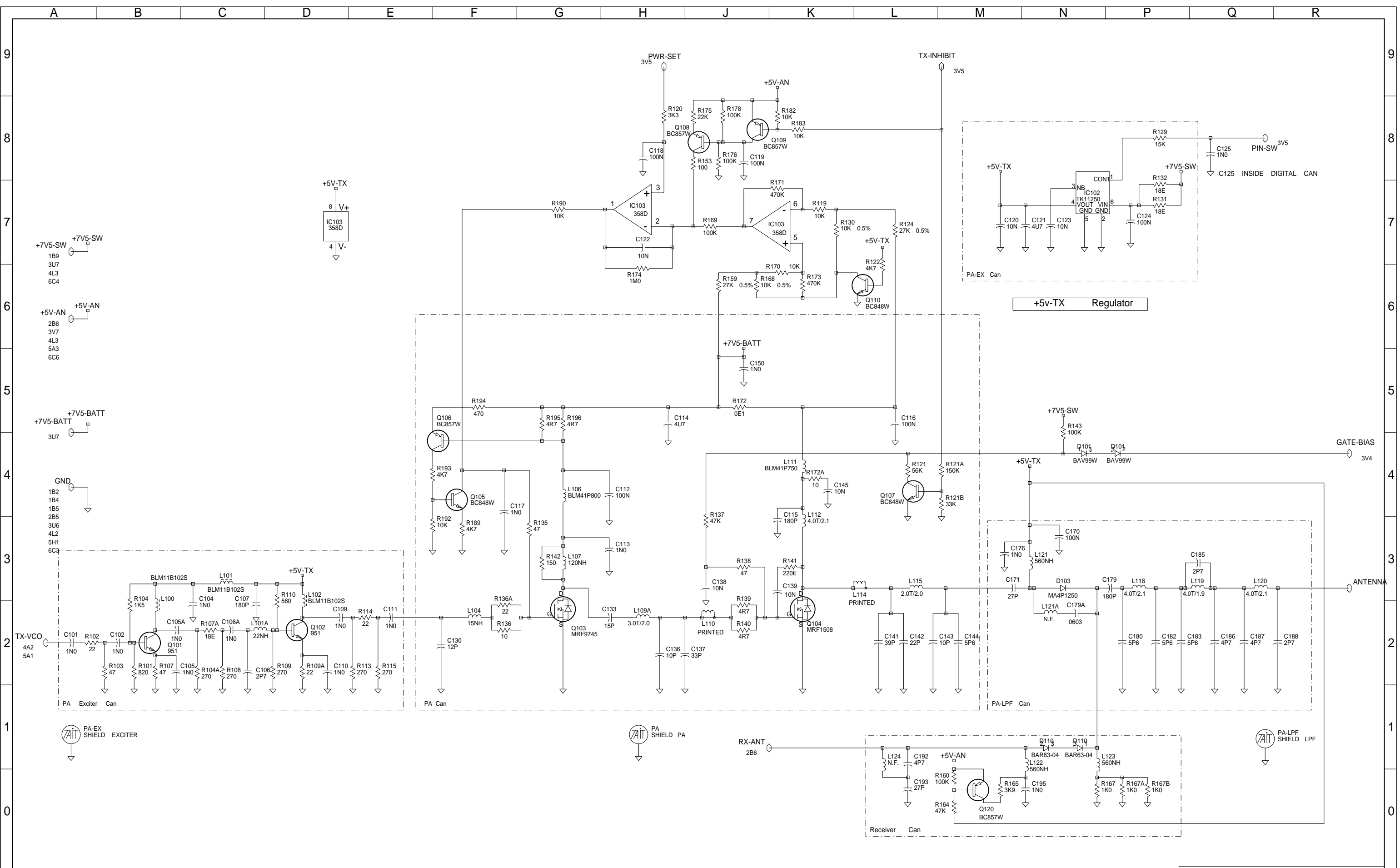
+7V5-SW
1B9
3U7
4L3
7A7

GND
1B2
1B4
1B5
2B5
3U6
4L2
5H1
7A4

© TAIT ELECTRONICS				
ORCA :TP010- 336-400MHZ +14V REGULATOR				
IPN: 220-01503-04	ISSUE: C	ID: 2.SC. 6		
PROJECT: ORCA	DESIGNER: BRD/TS	FILE NAME: 150304c	FILE DATE: 11-Nov-99	NO.SHEETS: 7

- 
 MIC-SEAL
MICGROMMET
- 
 SEAL
BATT SEAL
- 
 TBADMARK
BADMARK
- 
 BBADMARK
BADMARK

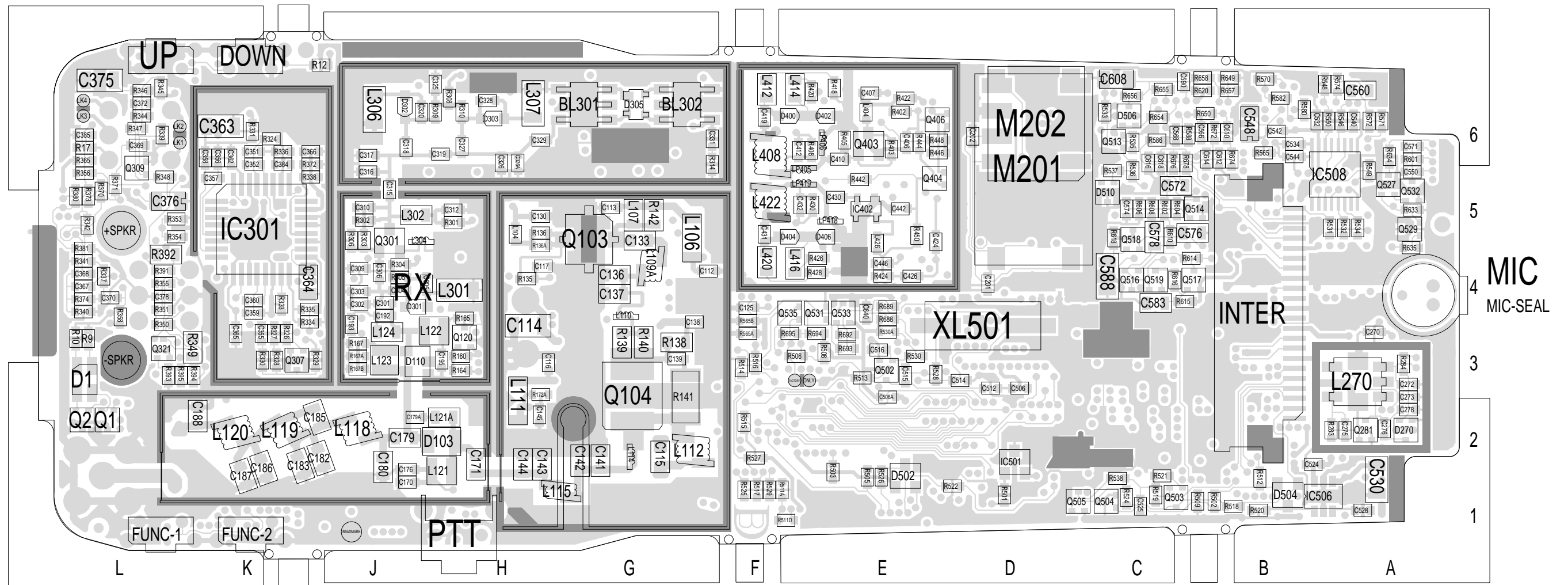
REV/ISS	AMENDMENTS	DRAWN	CHKD	D.O.	APVD	DATE
---------	------------	-------	------	------	------	------



04A	CHANGES AS PER 1503/001	BRD	CK	SP	GR	13/08/99
REV/ISS	AMENDMENTS	DRAWN	CHKD	D.O.	APVD	DATE

© TAIT ELECTRONICS
 ORCA :TP010- 336-400MHZ
 LOWCOST T3010

IPN:	ISSUE:	ID:		
220-01503-04	C	2.SC. 7		
PROJECT:	DESIGNER:	FILE NAME:	FILE DATE:	NO.SHEETS:
ORCA	BRD/TS	150304c	11-Nov-99	7



TAIT ELECTRONICS IPN: 220-01503-04 ISS: -04A ID: 6.BA DATE: 19 Aug 1999
 SUB UHF PCB LAYOUT - BOTTOM SIDE

Scale: 2.3:1 ; Rotation: 0 degrees